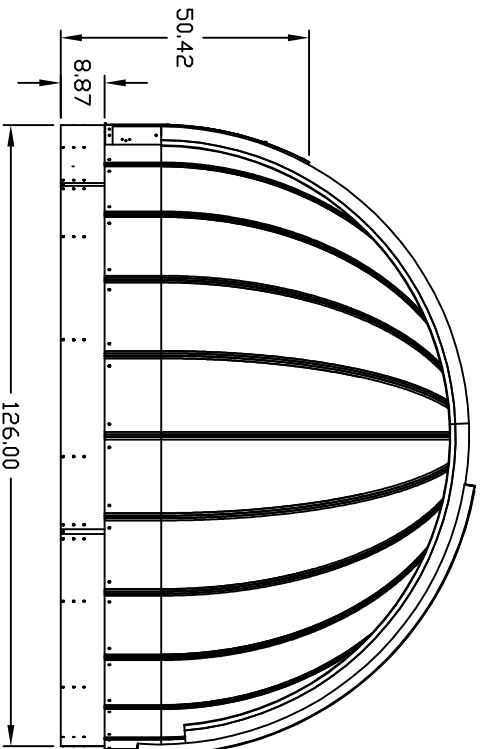
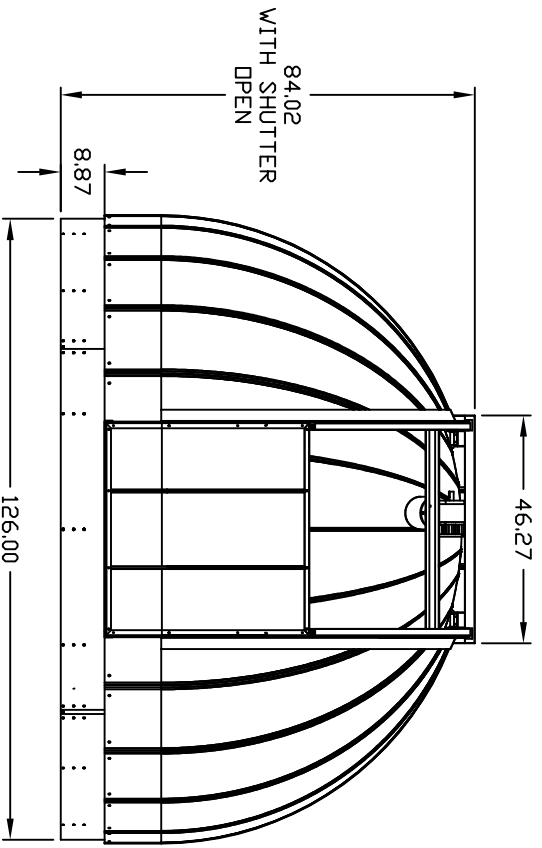


AZIMUTH MOTOR



10'6" PTD2 ADD ON DOME
SHUTTER OPEN DROP DOWN DOOR
CLOSED